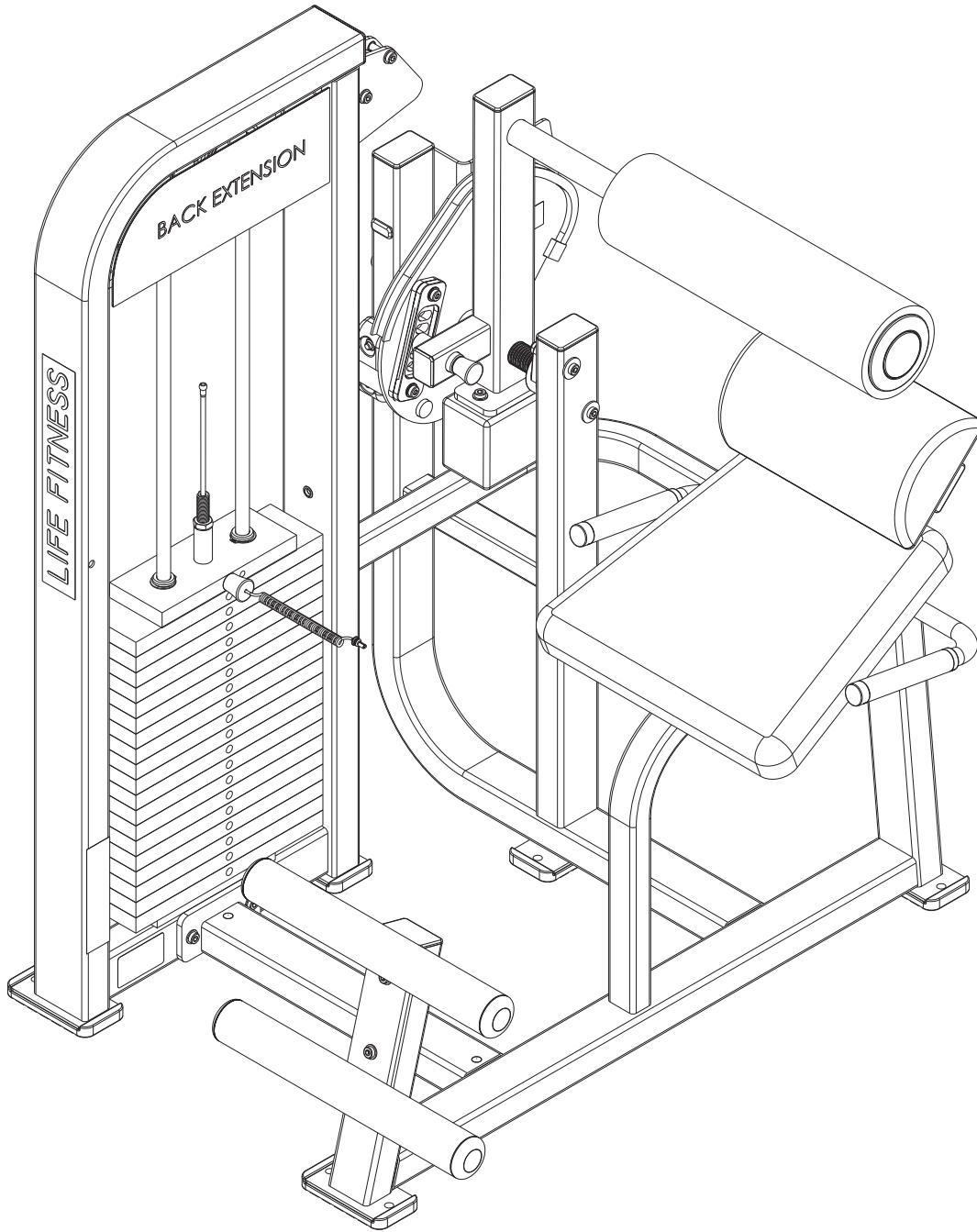




PRO 2 SERIES  
PSBE BACK EXTENSION



Customer Support Services  
**PARTS MANUAL**

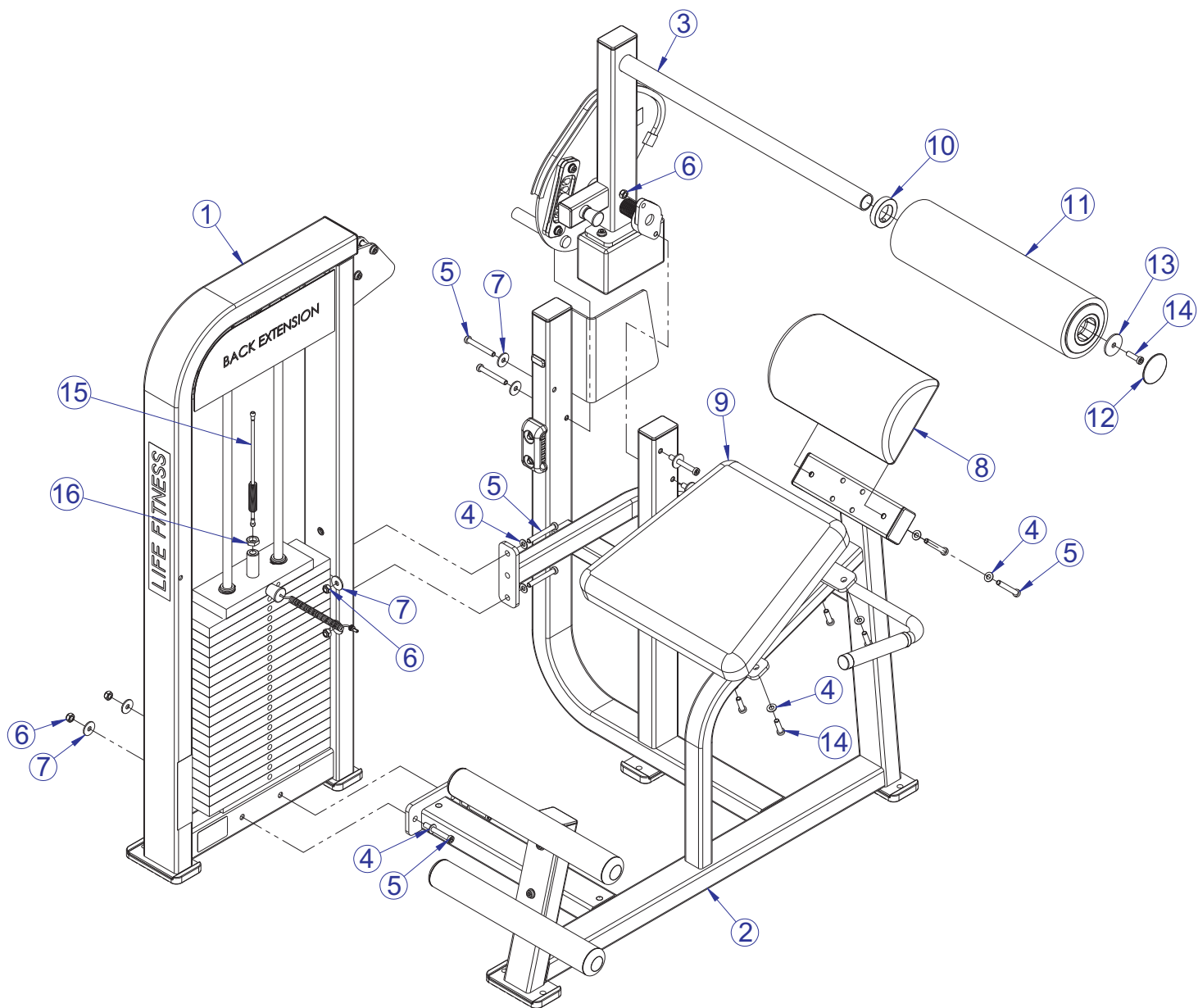
# PSBE BACK EXTENSION CONTENTS

---

	Page
COMPONENT ASSEMBLY	3
COMPONENT ASSEMBLY LEGEND	4
STACK FRAME ASSEMBLY	5
STACK FRAME ASSEMBLY LEGEND	6
MAIN FRAME ASSEMBLY	7
MAIN FRAME ASSEMBLY LEGEND	8
WORK ARM ASSEMBLY	9
WORK ARM ASSEMBLY LEGEND	10
ADD-ON INCREMENT WEIGHT ASSEMBLY	11
WEIGHT STACK (300LB)	12
OPTIONAL REAR SHROUD KIT	13

# PSBE BACK EXTENSION COMPONENT ASSEMBLY

---



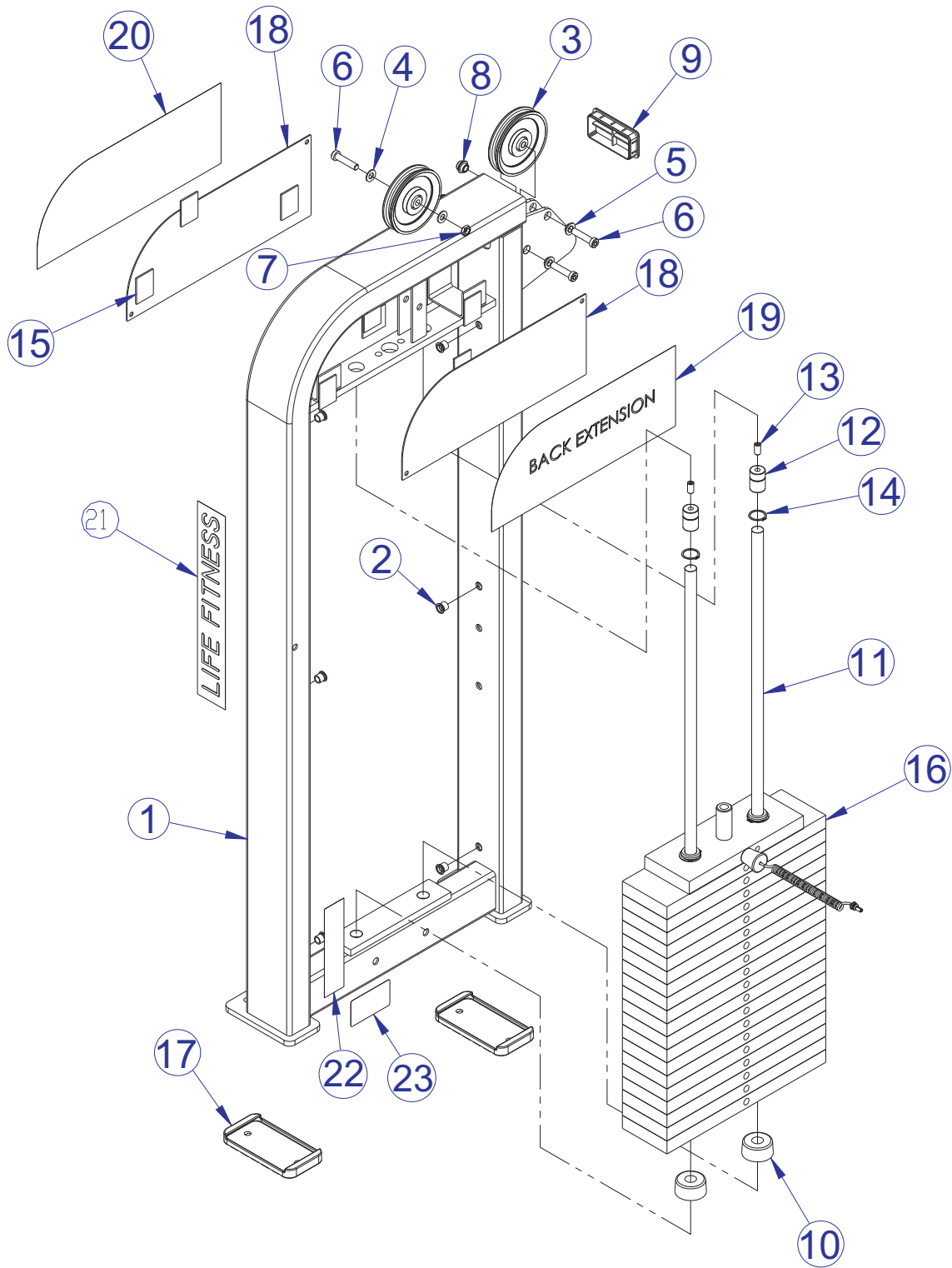
SEE PAGE 4 FOR LEGEND

# PSBE BACK EXTENSION COMPONENT ASSEMBLY LEGEND

---

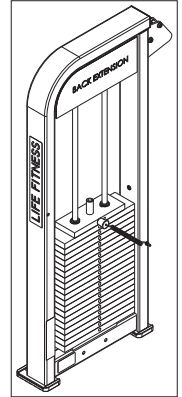
ITEM NO.	QTY.	PART NO.	DESCRIPTION
1	1	7541901	ASSY, PSBE STACK FRAME
2	1	7544301	ASSY, PSBE MAIN FRAME
3	1	7544401	ASSY, PSBE WORK ARM
4	10	3236601	WASHER, 3/8 SAE SS
5	10	3236212	SCREW, M10 X1.5 75MM
6	8	3236801	NUT, M10 HEX NYLOCK SS
7	8	3236602	WASHER, 3/8 ID X 1.25 OD SS
8	1	75445xx	PAD, LUMBAR
9	1	73991xx	PAD, 17 X 18 1/2
10	1	7357901	SHAFT COLLAR, 1-1/2" ID ALUM
11	1	73928xx	ASSY, ROLLER PAD - LONG
12	1	7308701	CAP, BEARING HOUSING
13	1	7322301	PLATE, 1.97 OD X .44 ID 10GA
14	5	3236204	SCREW, M10 X1.5 35MM
15	1	7423713	CABLE, PSBE
16	1	3236902	NUT, M16 X 2 HEX JAM SS

# PSBE BACK EXTENSION STACK FRAME ASSEMBLY - 7541901



SEE PAGE 6 FOR LEGEND

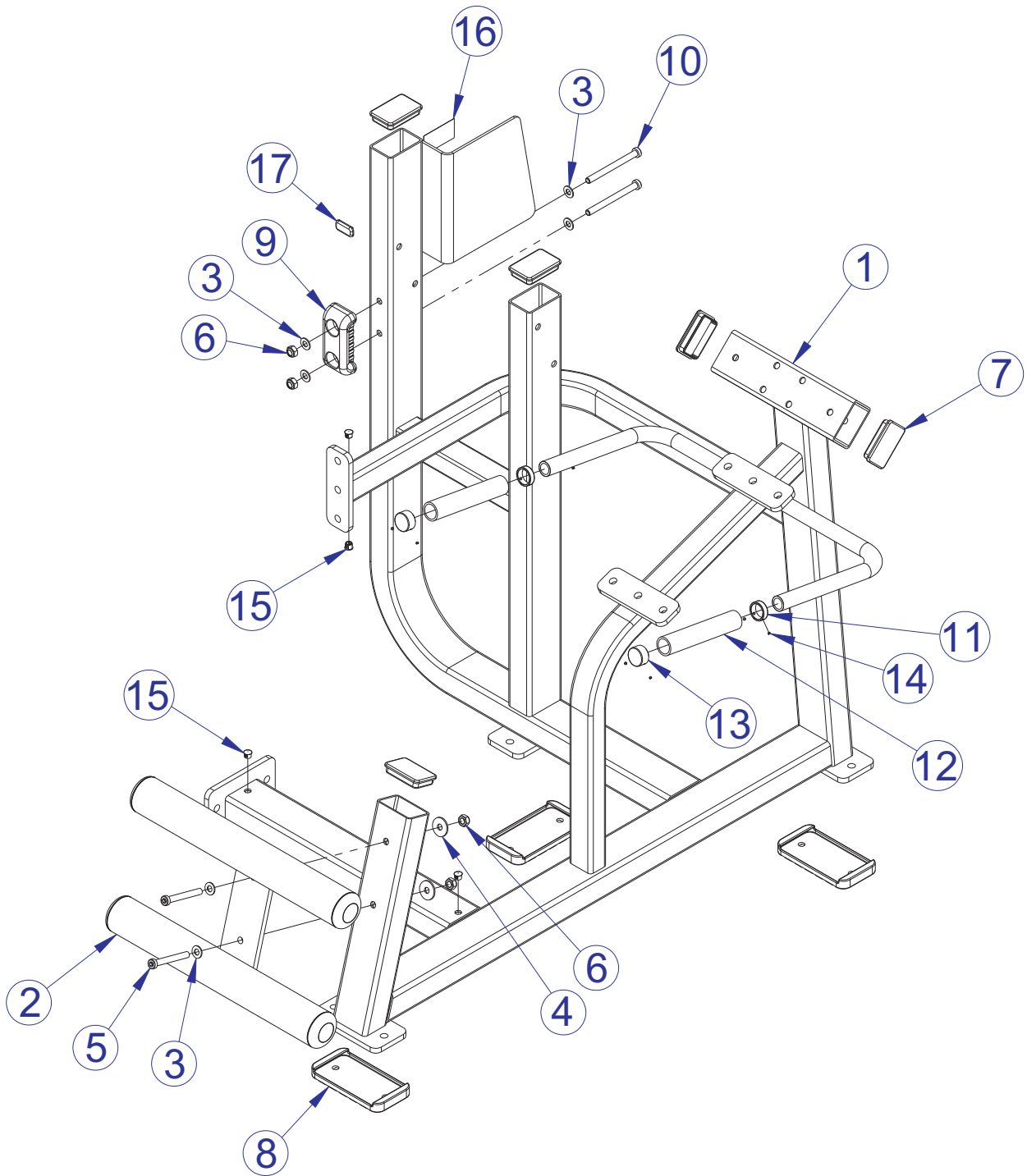
# PSBE BACK EXTENSION STACK FRAME ASSEMBLY LEGEND



ITEM NO.	QTY.	PART NO.	DESCRIPTION
1	1	7541601	WLDMT, PSBE STACK FRAME
2	6	3238101	NUT, BLIND INSERT M10 X 1.5
3	2	3237801	PULLEY, 4.5" OD
4	2	3236601	WASHER, 3/8 SAE SS
5	2	7348101	WASHER, SPACER
6	3	3236206	SCREW, M10 X1.5 45MM
7	1	3236901	NUT, M10 X 1.5 JAM
8	2	7335401	NUT, M10 X 1.5 SOCKET HEAD
9	1	7352401	CAP, END 2 X 4
10	2	7352101	CUSHION, WEIGHT STACK
11	2	7328604	GUIDE ROD, .75 OD SOLID 43.88
12	2	7402301	RETAINER, GUIDEROD
13	2	3240501	M10 X 1.5 HXS NO CUP ST BO
14	2	3232421	RING, BRE .940, 5100-100 ST PP B
15	12	7544202	PAD, DUAL LOCK 250 1.5" X 2.0"
16	1	7353501	ASSY, 300LB STACK
17	2	7388201	FOOTPAD, PS RUBBER
18	2	7606602	COVER, STACK-PRO2 STD
19	1	7445301	LABEL, PSBE PLACARD
20	1	7445401	LABEL, PSBE LOGO PANEL
21	1	7348001	LABEL, LIFE FITNESS LOGO
22	1	7422004	LABEL, 2" ASTM WARN
23	1	7571301	LABEL, SERIAL NUMBER

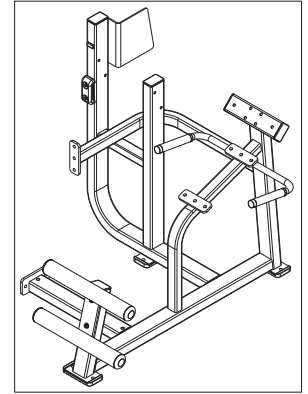
# PSBE BACK EXTENSION MAIN FRAME ASSEMBLY - 7544301

---



SEE PAGE 8 FOR LEGEND

# PSBE BACK EXTENSION MAIN FRAME ASSEMBLY LEGEND

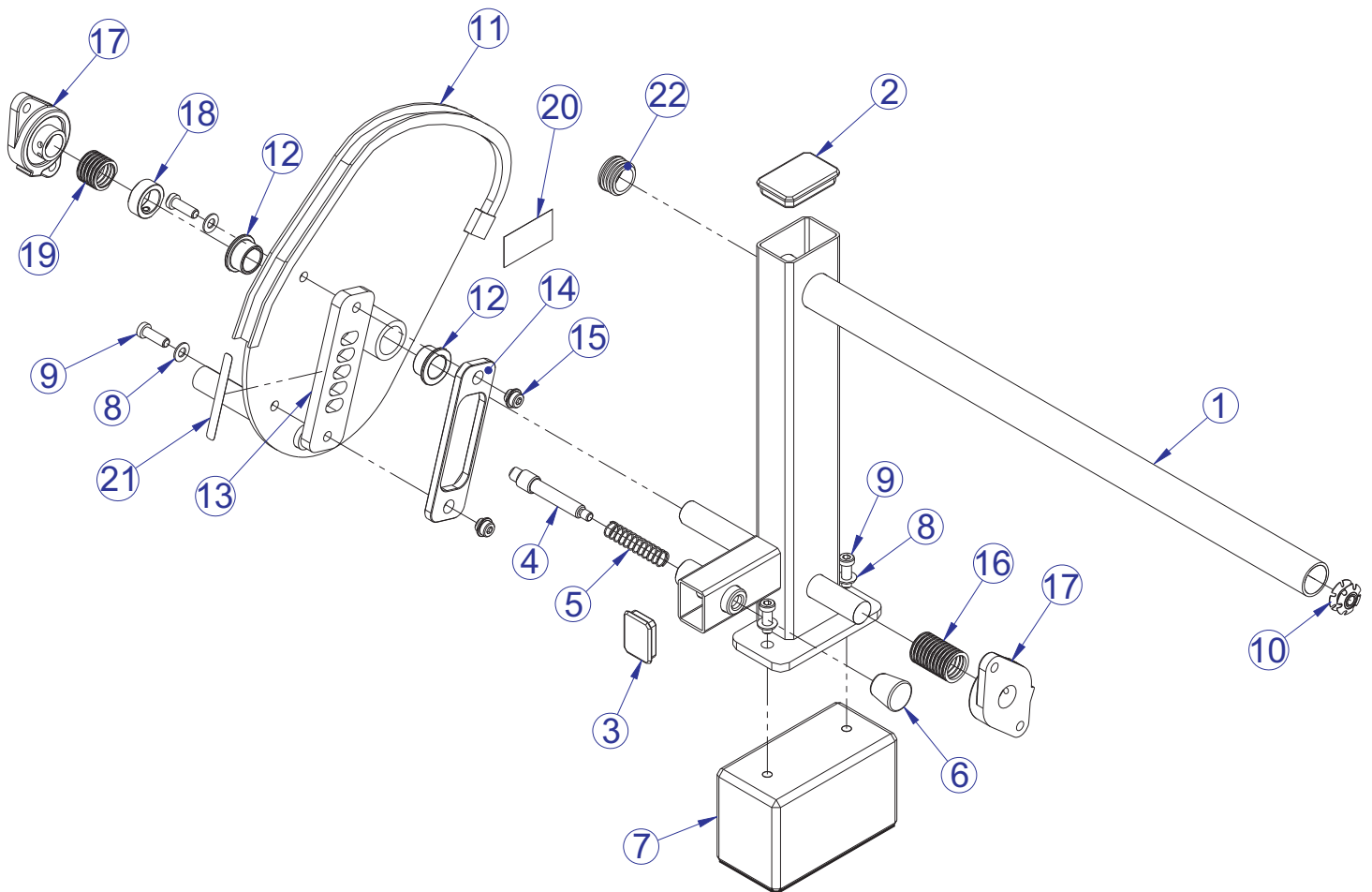


ITEM NO.	QTY.	PART NO.	DESCRIPTION
1	1	7542001	WLDMT, PSBE SEAT FRAME
2	1	7544001	WLDMT, PSBE FOOT REST
3	6	3236601	WASHER, 3/8 SAE SS
4	2	3236602	WASHER, 3/8 ID X 1.25 OD SS
5	2	3236213	SCREW, M10 X1.5 80MM
6	4	3236801	NUT, M10 HEX NYLOCK SS
7	5	7352301	CAP, END 2 X 3
8	3	7388201	FOOTPAD, PS RUBBER
9	1	7352001	BUMPER, 2-1/8 X 4-5/8
10	2	3236218	SCREW, M10 X1.5 110MM
11	2	7662801	RING, GRIP 1.25 OD
12	2	3235801	GRIP, 1.25 OD OPEN END
13	2	7662901	CAP, GRIP 1.25 OD
14	8	3247701	M4 X .7 HXS NO CUP ST BO
15	4	3237401	PLUG, 7/16" HOLE
16	1	7422003	LABEL, MOVING PARTS
17	1	7570801	GUARD, PAINT 1.25"x.75"x.25"



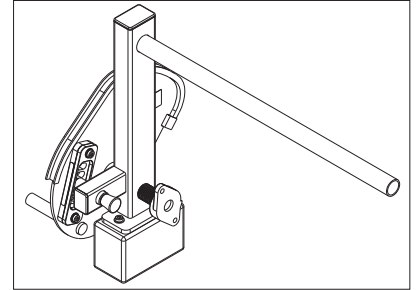
# PSBE BACK EXTENSION WORK ARM ASSEMBLY - 7544401

---



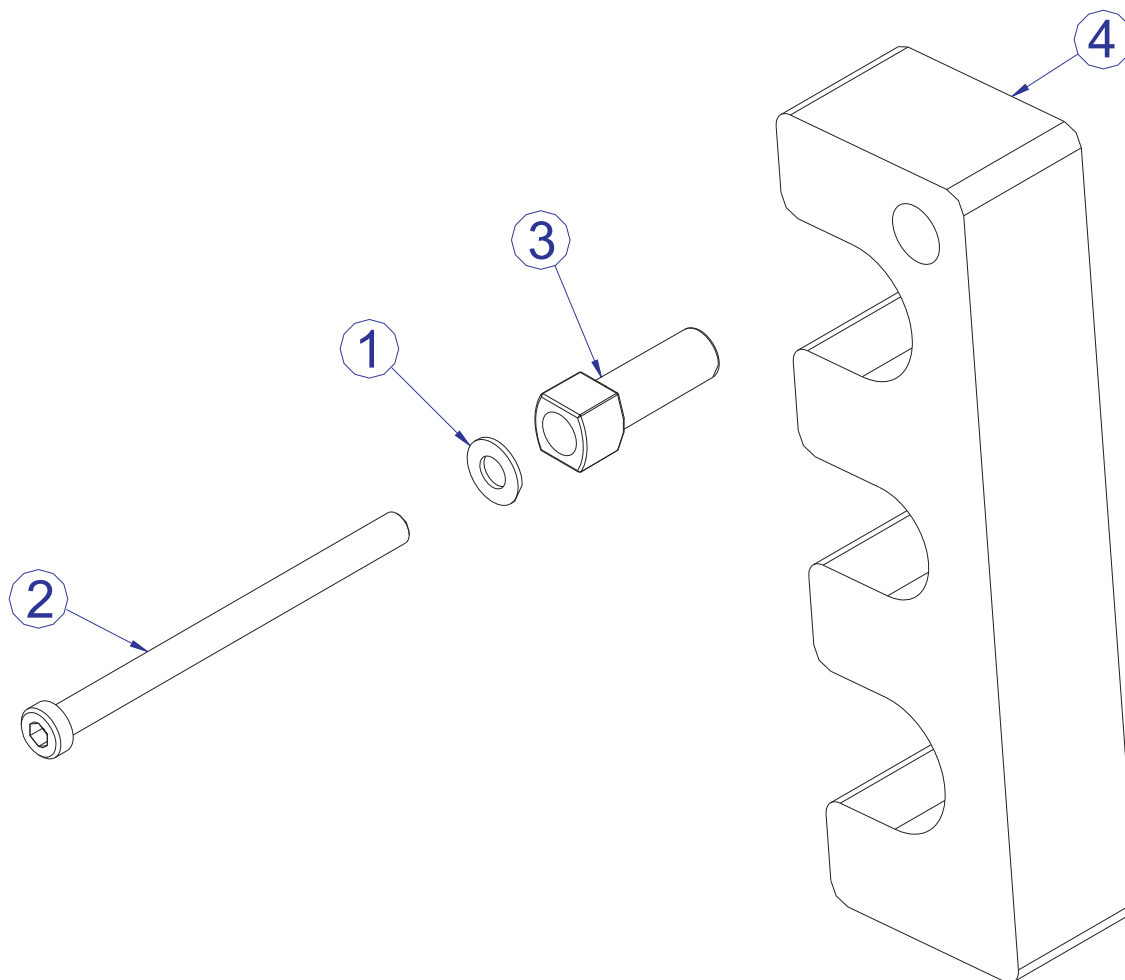
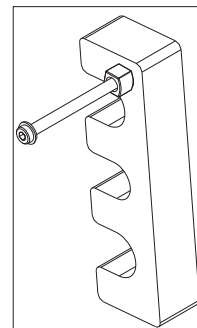
SEE PAGE 10 FOR LEGEND

# PSBE BACK EXTENSION WORK ARM ASSEMBLY LEGEND



ITEM NO.	QTY.	PART NO.	DESCRIPTION
1	1	8027101	WLDMT, PSBE WORK ARM
2	1	7352301	CAP, END 2 X 3
3	1	7352201	CAP, END 1-1/2 X 2
4	1	7351300	PIN, PULL
5	1	7351501	SPRING; PULL PIN LARGE
6	1	7351401	KNOB, TULIP STYLE
7	1	7365901	WEIGHT, COUNTER MED
8	4	3236601	WASHER, 3/8 SAE SS
9	4	3236203	SCREW, M10 X1.5 30MM
10	1	7347301	NUT, SPIDER M10 X 1.5
11	1	7543501	WLDMT, PSBE CAM
12	2	3104903	1.00" ID 1.25" OD BRONZ BUSHING
13	1	7352501	5-HOLE SELECTOR PLATE
14	1	7350901	PLATE, SLOT STOP
15	2	7335401	NUT, M10 X 1.5 SOCKET HEAD
16	1	6912804	SLEEVE, ACCRDN 1.0 ID X 2
17	2	3237701	ASSY, PILLOW BLOCK 4.88 X 2.75
18	1	7435301	COLLAR, SHAFT 1.020 ID
19	1	6912807	SLEEVE, ACCRDN 1.0 ID X 1
20	1	7422003	LABEL, MOVING PARTS
21	1	7805801	LABEL, PS A-E STRAIGHT
22	1	3119306	CAP, END 1.50 DIA RD 8-12 GA

# PSBE BACK EXTENSION ADD-ON INCREMENT WEIGHT ASSEMBLY - 7415001

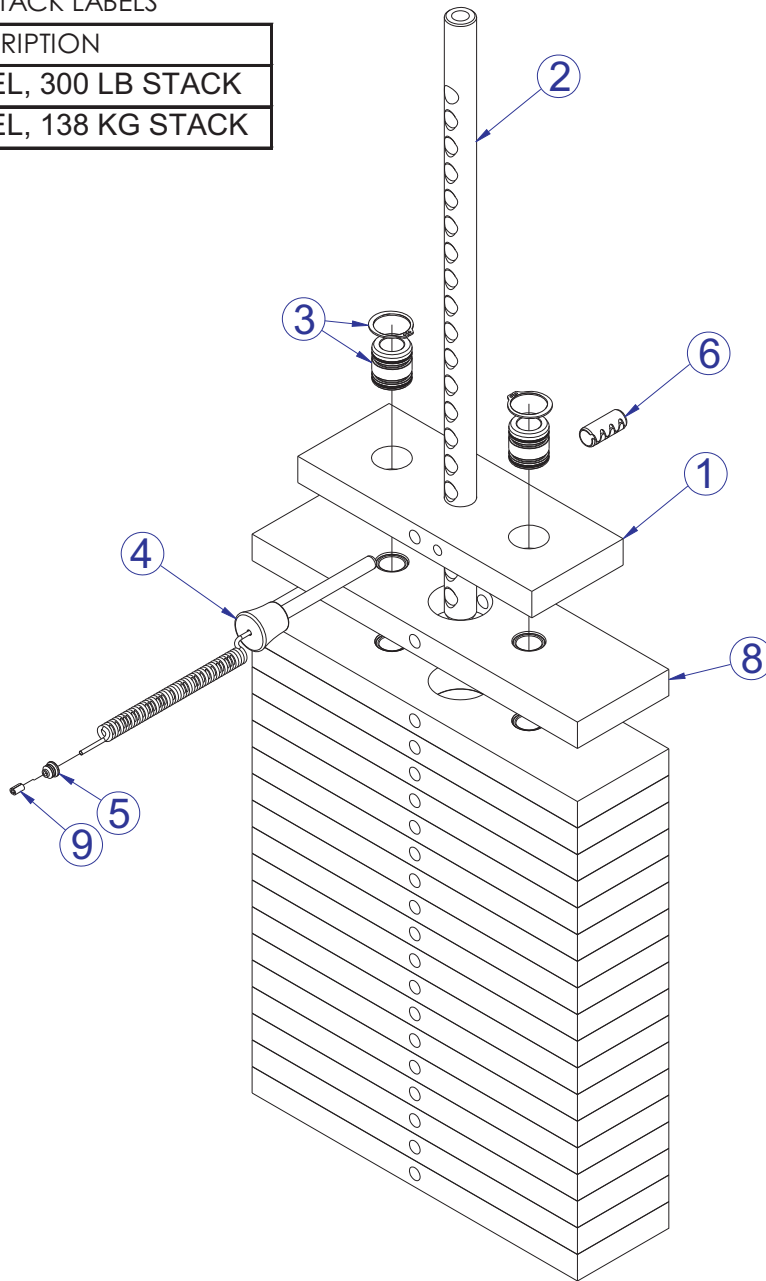
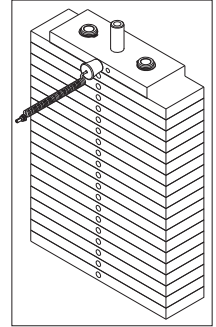


ITEM NO.	QTY.	PART NO.	DESCRIPTION
1	1	3236601	WASHER, 3/8 SAE SS
2	1	3236221	SCREW, M10 X1.5 140MM
3	1	7401701	COVER, PLASTIC PEG 2-1/4
4	1	7366101	WEIGHT, 7.5 LB. ADD-ON

# PSBE BACK EXTENSION WEIGHT STACK ASSY 300LB - 7353501

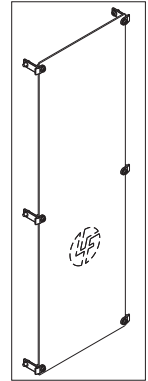
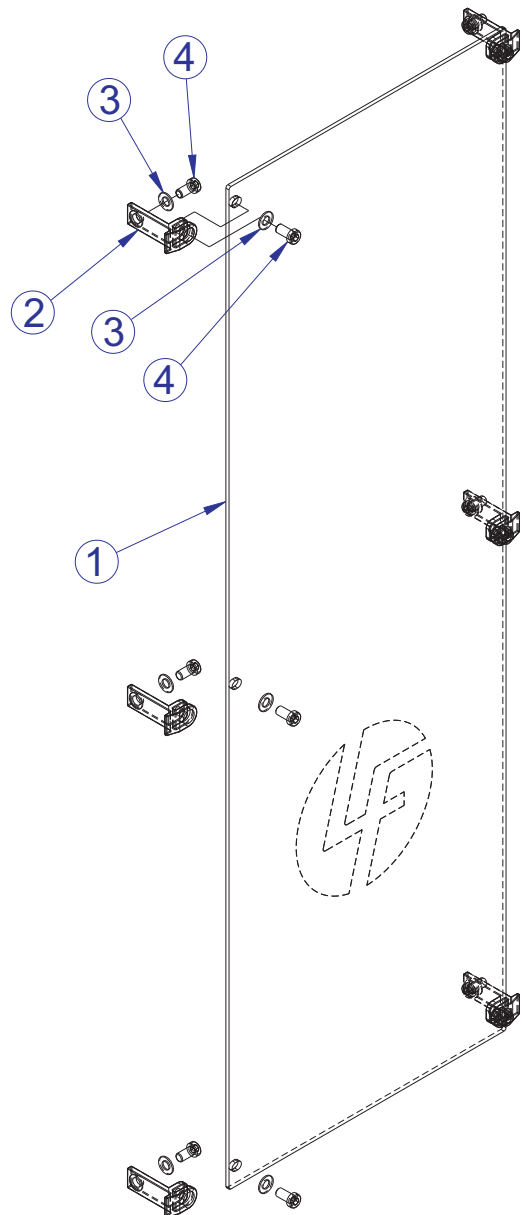
## WEIGHT STACK LABELS

PART NO.	DESCRIPTION
7987201	LABEL, 300 LB STACK
7987401	LABEL, 138 KG STACK



ITEM NO.	QTY.	PART NO.	DESCRIPTION
1	1	7353901	HEADPLATE, WT. STACK
2	1	7356600	STEM, PRO2 19 HOLE
3	2	7338001	BUSHING, HEADPLATE
4	1	7353001	ASSY, SELECTOR PIN
5	1	7356501	PLUG, LANYARD ATTACHMENT
6	1	3236001	BUSHING, SPRING PIN
8	19	7353801	ASSY, 15 LB PLATE
9	1	7523601	CRIMP, CABLE

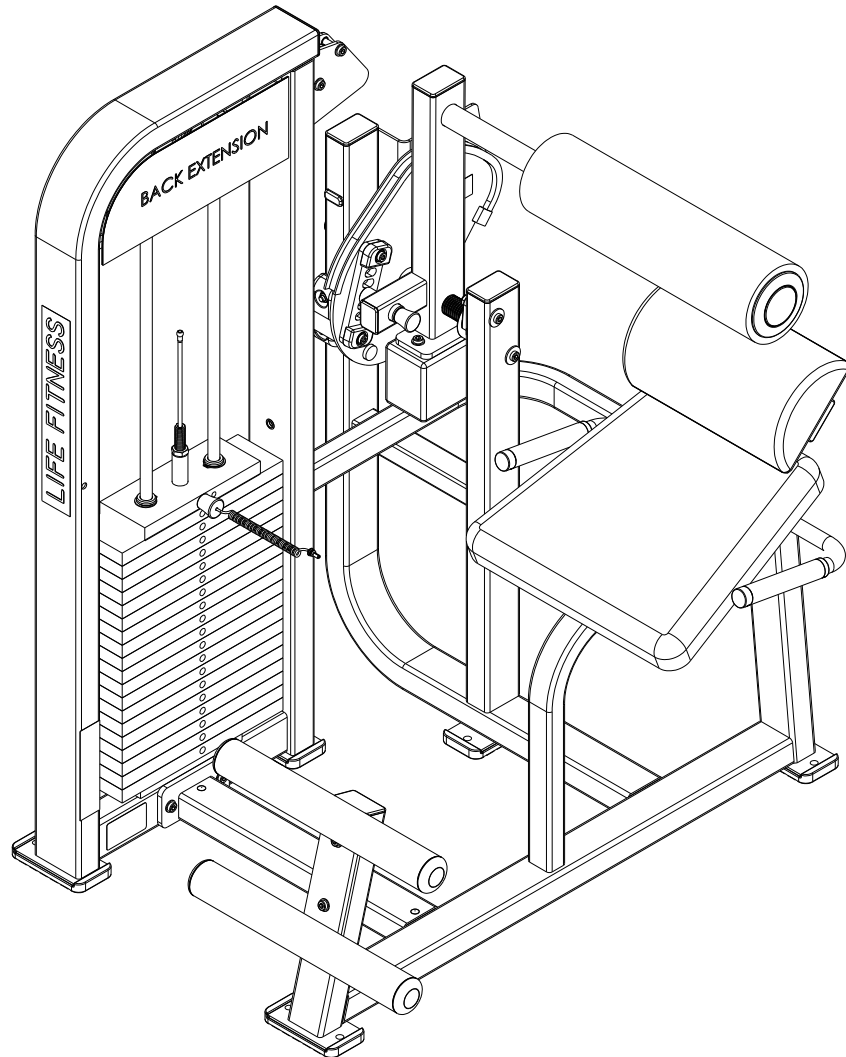
# PSBE BACK EXTENSION OPTIONAL REAR SHROUD KIT STD-SHORT - 7415201



ITEM NO.	QTY.	PART NO.	DESCRIPTION
1	1	8352401	SHROUD, PS REAR 42.5 X 16.43
2	6	7655301	BRACKET, PS REAR SHIELD
3	12	3236601	WASHER, 3/8 SAE SS
4	12	3236201	SCREW, M10 X1.5 20MM

# Life Fitness

## PRO II SERIES PSBESE Back Extension



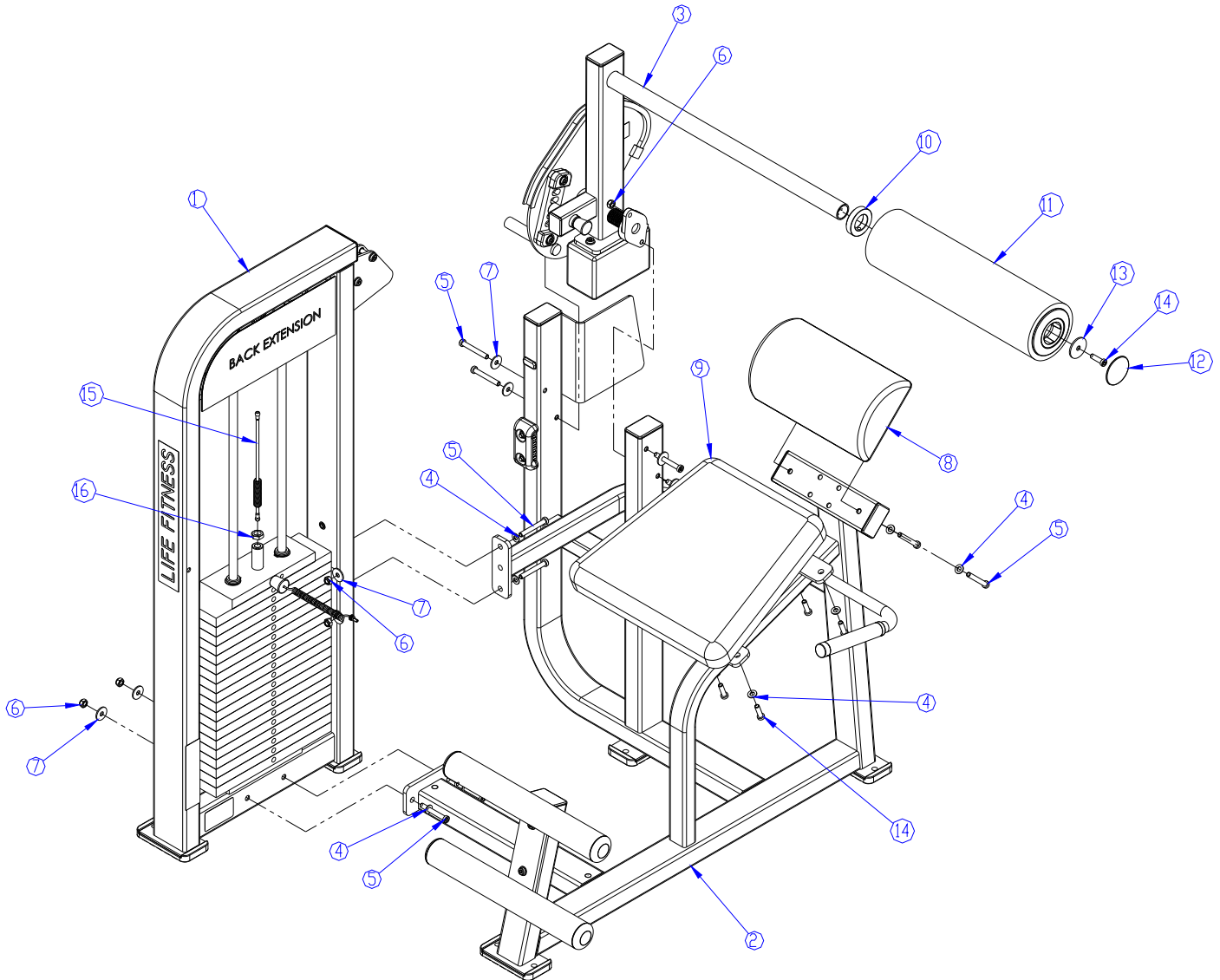
Customer Support Services  
**PARTS MANUAL**

# PSBESE Back Extension CONTENTS

---

	PAGE
COMPONANT ASSEMBLY	3
MAIN FRAME ASSEMBLY	4
WORK ARM ASSEMBLY	5
WEIGHT FRAME ASSEMBLY	6
300LB WEIGHT STACK ASSEMBLY	7
INCREMENT WEIGHT ASSEMBLY	8
INCREMENT WEIGHT W/STRIKER ASSY	9
REAR SHROUD KIT	10
OPTIONAL FULL SHROUD KIT	11

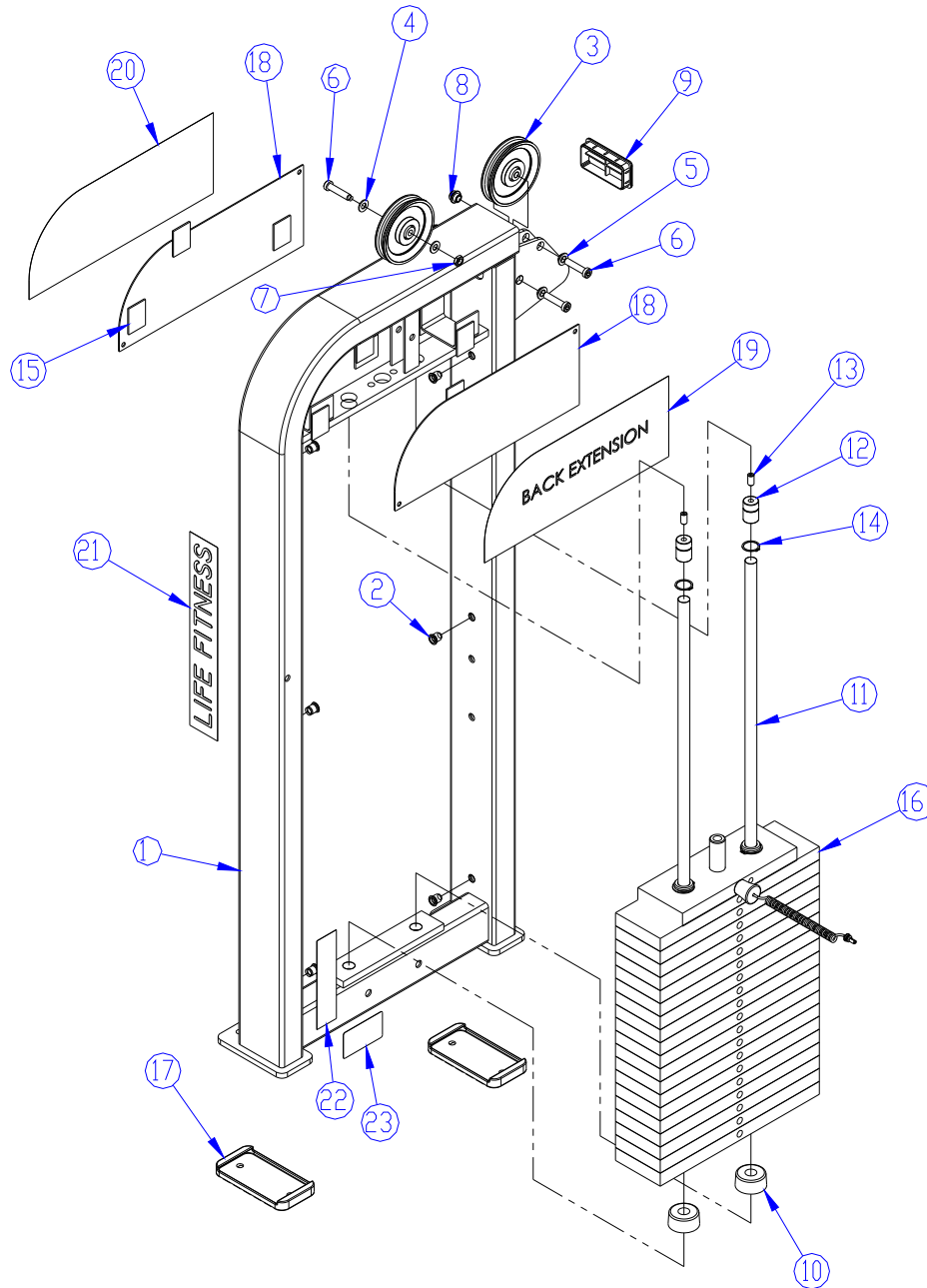
# PSBESE Back Extension COMPONANT ASSEMBLY



ITEM NO	QTY	PART NO	DESCRIPTION	ITEM NO	QTY	PART NO	DESCRIPTION
1	1	7541901	ASSY, PSBE STACK FRAME	9	1	7399101	PAD, 17 X 18 1/2
2	1	7544301	ASSY, PSBE MAIN FRAME	10	1	7357901	SHAFT COLLAR, 1-1/2" ID ALUM
3	1	7544401	ASSY, PSBE WORK ARM	11	1	7392801	ASSY, ROLLER PAD - LONG
4	10	3236601	WASHER, 3/8 SAE SS	12	1	7308701	CAP, BEARING HOUSING
5	10	3236212	SCREW, M10 X1.5 75MM	13	1	7322301	PLATE, 1.97 OD X .44 ID 10GA
6	8	3236801	NUT, M10 HEX NYLOCK SS	14	5	3236204	SCREW, M10 X1.5 35MM
7	8	3236602	WASHER, 3/8 ID X 1.25 OD SS	15	1	7423713	CABLE, PSBE
8	1	7544501	PAD, LUMBAR	16	1	3236902	NUT, M16 X 2 HEX JAM SS

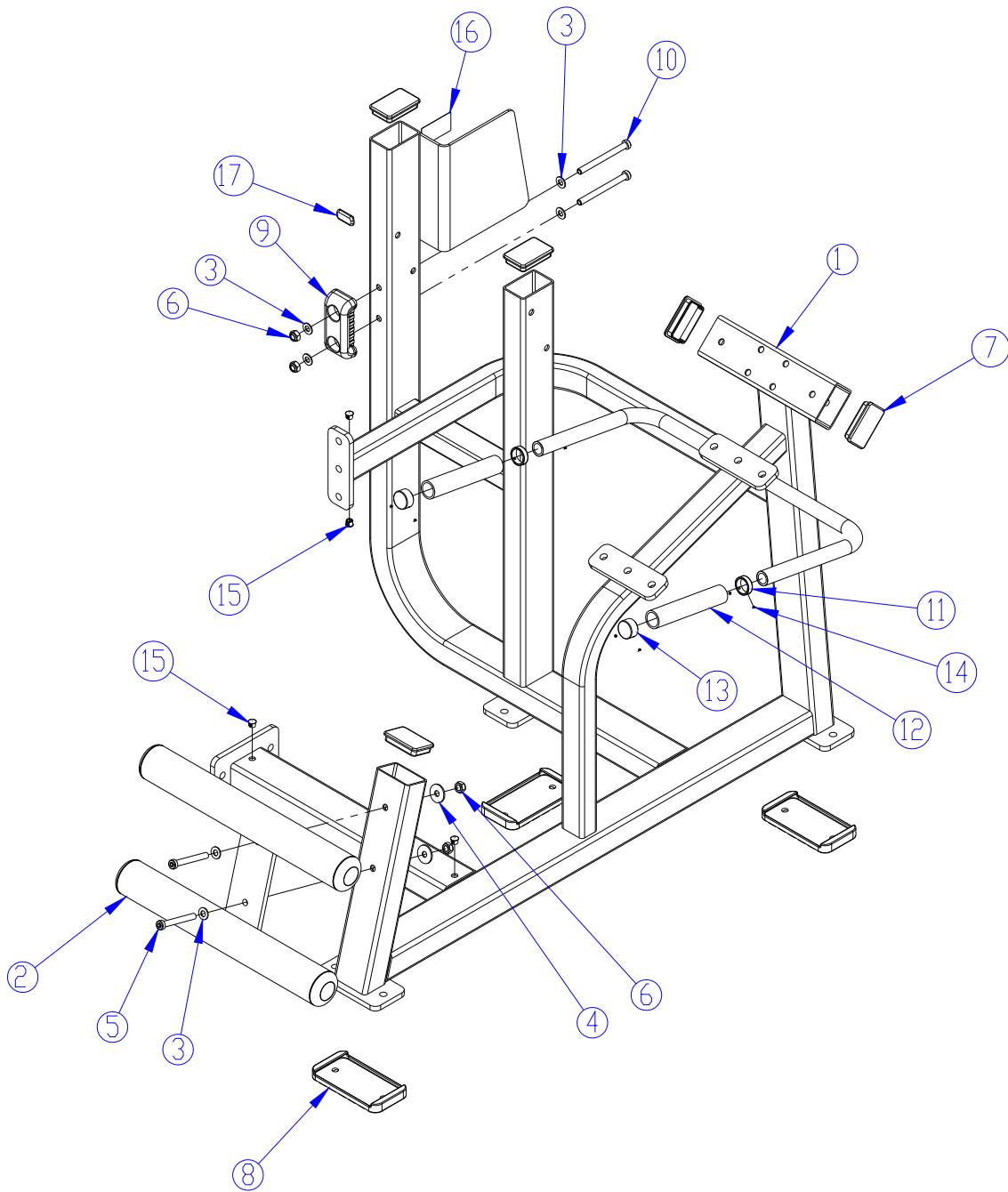


# PSBESE Back Extension WEIGHT FRAME ASSEMBLY - 7541901



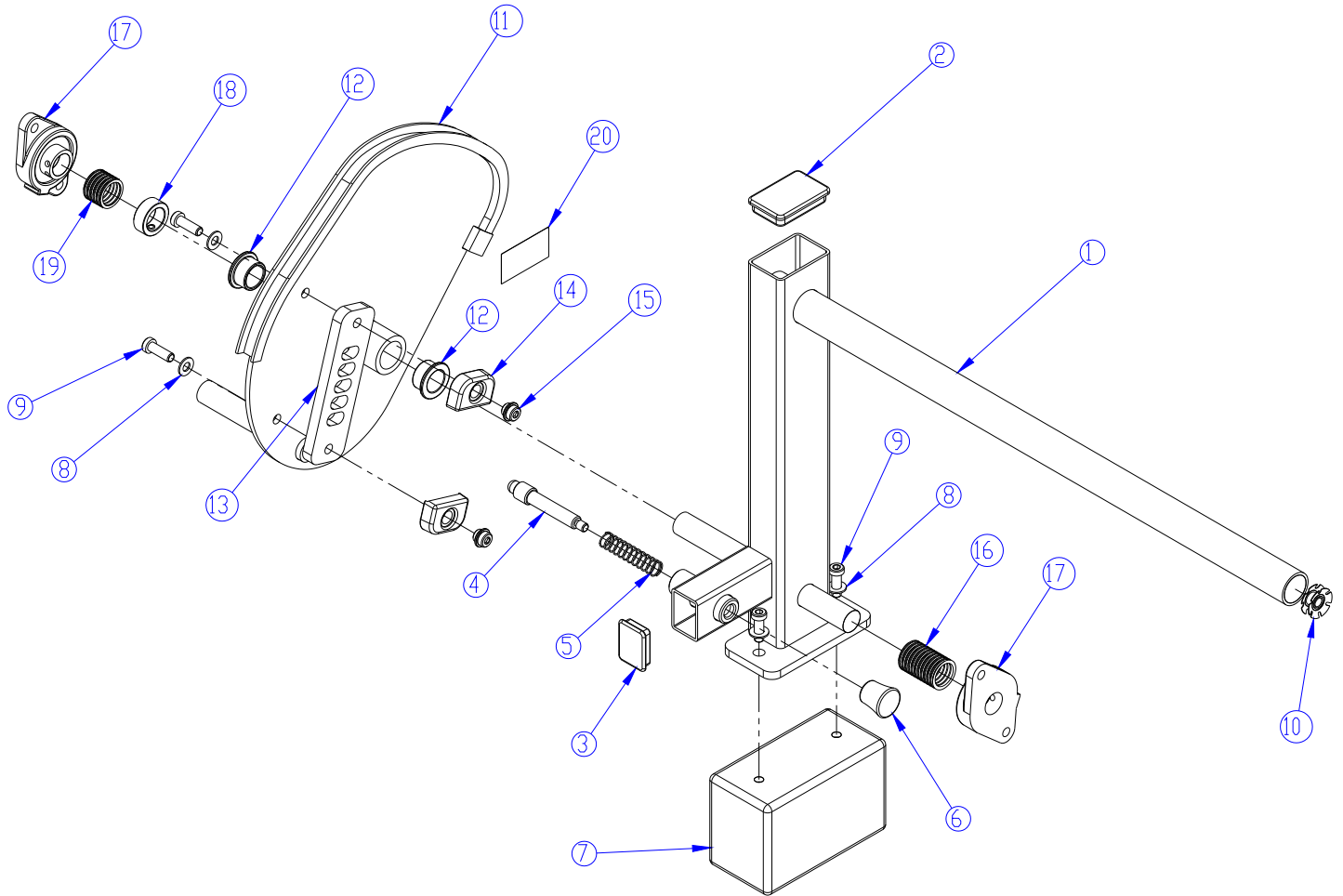
ITEM NO	QTY	PART NO	DESCRIPTION
1	1	7541601	WLDMT, PSBE STACK FRAME
2	6	3238101	NUT, BLIND INSERT M10 X 1.5
3	2	3237801	PULLEY, 4.5" OD
4	2	3236601	WASHER, 3/8 SAE SS
5	2	7348101	WASHER, SPACER
6	3	3236206	SCREW, M10 X1.5 45MM
7	1	3236901	NUT, M10 X 1.5 JAM
8	2	7335401	NUT, M10 X 1.5 SOCKET HEAD
9	1	7352401	CAP, END 2 X 4
10	2	7352101	CUSHION, WEIGHT STACK
11	2	7328604	GUIDE ROD, .75 OD SOLID 43.88
12	2	7402301	RETAINER, GUIDEROD
13	2	3240501	M10 X 1.5 HXS NO CUP ST BO
14	2	3232421	RING, BRE .940, 5100-100 ST PP B
15	12	7544202	PAD, DUAL LOCK 250 1.5" X 2.0"
16	1	7353501	ASSY, 300LB STACK
17	2	7388201	Footpad, PS Rubber
18	2	7606602	COVER, STACK-PRO2 STD
19	1	7445301	LABEL, PSBE PLACARD
20	1	7445401	LABEL, PSBE LOGO PANEL
21	1	7348001	LABEL, LIFE FITNESS LOGO
22	1	7422004	LABEL, 2" ASTM WARN
23	1	7571301	LABEL, SERIAL NUMBER

# PSBESE Back Extension MAIN FRAME ASSEMBLY - 7544301



ITEM NO	QTY	PART NO	DESCRIPTION
1	1	7542001	WLDMT, PSBE SEAT FRAME
2	1	7544001	WLDMT, PSBE FOOT REST
3	6	3236601	WASHER, 3/8 SAE SS
4	2	3236602	WASHER, 3/8 ID X 1.25 OD SS
5	2	3236213	SCREW, M10 X1.5 80MM
6	4	3236801	NUT, M10 HEX NYLOCK SS
7	5	7352301	CAP, END 2 X 3
8	3	7388201	Footpad, PS Rubber
9	1	7352001	BUMPER, 2-1/8 X 4-5/8
10	2	3236218	SCREW, M10 X1.5 110MM
11	2	7662801	RING, GRIP 1.25 OD
12	2	3235801	GRIP, 1.25 OD OPEN END
13	2	7662901	CAP, GRIP 1.25 OD
14	8	3247701	M4 X .7 HXS NO CUP ST BO
15	4	3237401	PLUG, 7/16" HOLE
16	1	7422003	LABEL, MOVING PARTS
17	1	7570801	Guard, Paint 1.25"x.75"x.25"

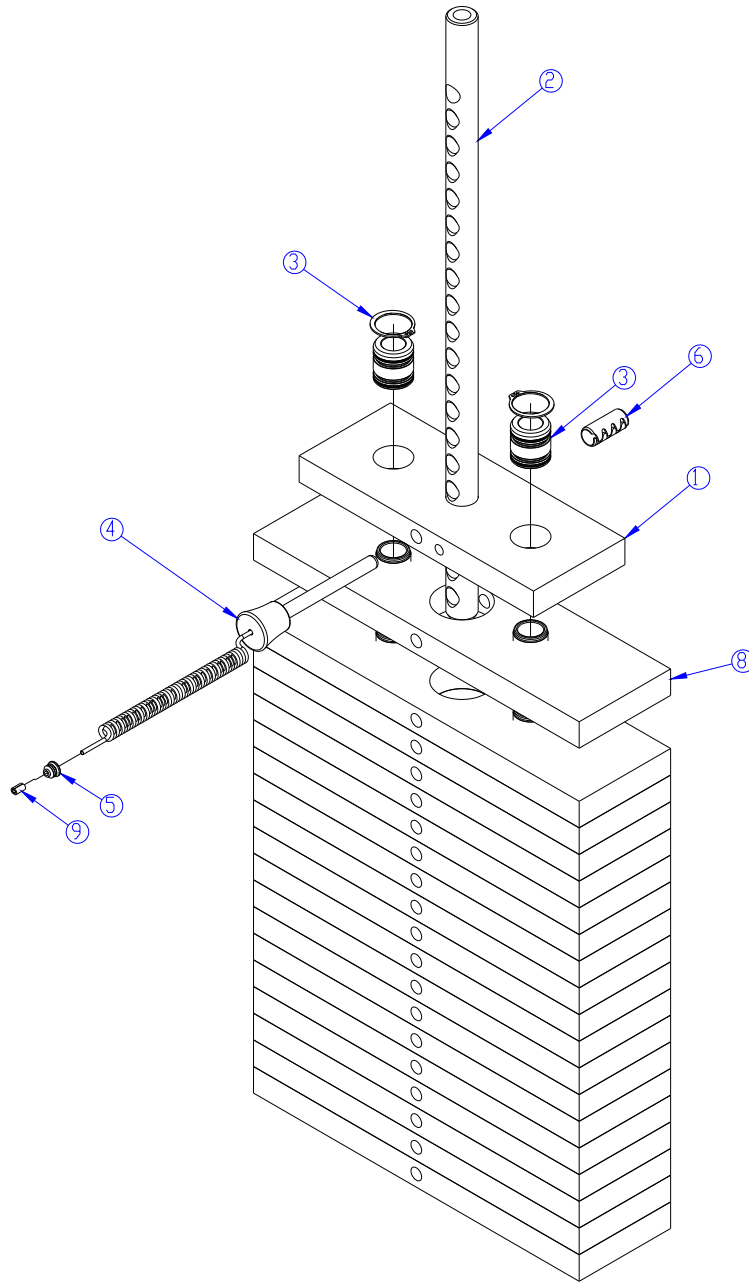
# PSBESE Back Extension WORK ARM ASSEMBLY - 7544401



ITEM NO	QTY	PART NO	DESCRIPTION	ITEM NO	QTY	PART NO	DESCRIPTION
1	1	7543001	WLDMT, PSBE WORKARM	11	1	7543501	WLDMT, PSBE CAM
2	1	7352301	CAP, END 2 X 3	12	2	3104903	1.00" ID 1.25" OD BRONZ BUSHING
3	1	7352201	CAP, END 1-1/2 X 2	13	1	7352501	5-HOLE SELECTOR PLATE
4	1	7351300	PIN, PULL	14	2	7778401	PLATE, STOP
5	1	7351501	SPRING; PULL PIN LARGE	15	2	7335401	NUT, M10 X 1.5 SOCKET HEAD
6	1	7351401	KNOB, TULIP STYLE	16	1	6912804	SLEEVE, ACCRDN 1.0 ID X 2
7	1	7365901	WEIGHT, COUNTER MED	17	2	3237701	ASSY, PILLOW BLOCK 4.88 X 2.75
8	4	3236601	WASHER, 3/8 SAE SS	18	1	7435301	COLLAR, SHAFT 1.020 ID
9	4	3236203	SCREW, M10 X1.5 30MM	19	1	6912807	SLEEVE, ACCRDN 1.0 ID X 1
10	1	7347301	NUT, SPIDER M10 X 1.5	20	1	7422003	LABEL, MOVING PARTS

# PSBESE Back Extension 300LB WEIGHT STACK ASSEMBLY - 7353501

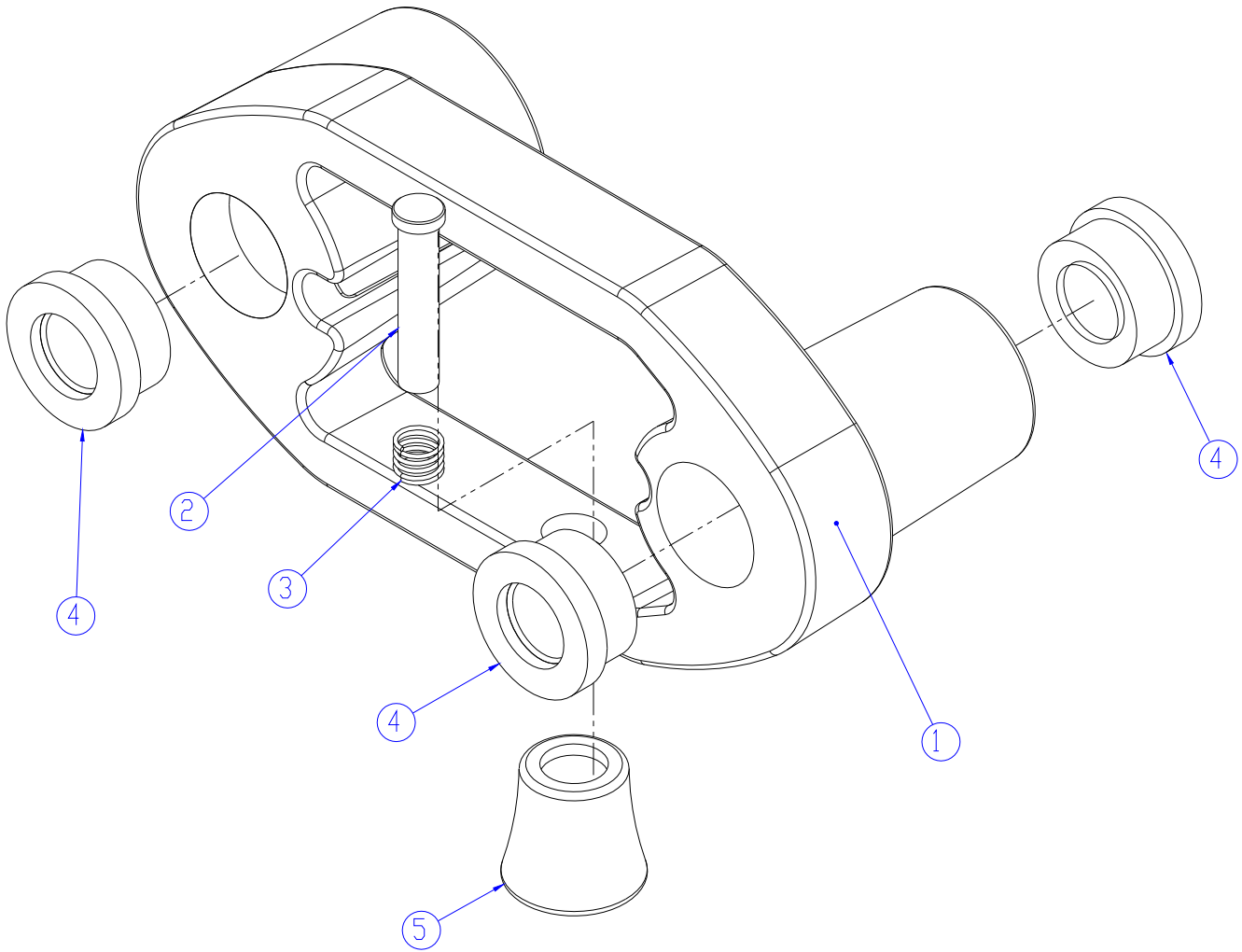
---



ITEM NO	QTY	PART NO	DESCRIPTION
1	1	7353901	HEADPLATE, WT. STACK
2	1	7356600	STEM, PRO2 19 HOLE
3	2 /2	7338001	BUSHING, HEADPLATE
4	1	7353001	ASSY, SELECTOR PIN
5	1	7356501	PLUG, LANYARD ATTACHMENT
6	1	3236001	BUSHING, SPRING PIN
8	19	7353801	ASSY, 15 LB PLATE
9	1	7523601	CRIMP, CABLE

# PSBESE Back Extension INCREMENT WEIGHT ASSEMBLY - 7446501

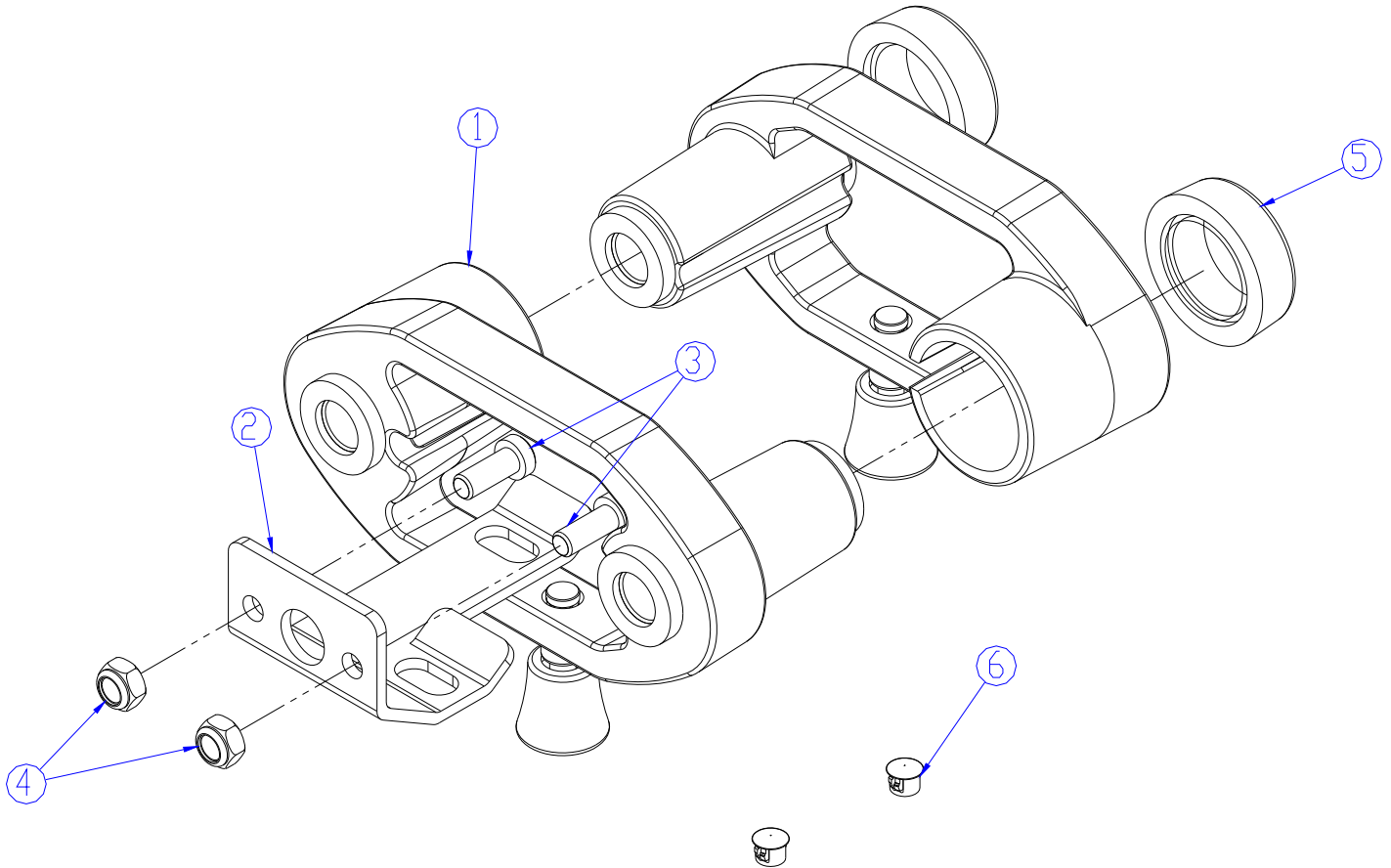
---



ITEM NO	QTY	PART NO	DESCRIPTION
1	1	7446602	BODY, 5LB INCREMENT WEIGHT
2	1	7446901	PIN, RETAINING
3	1	7447001	SPRING, COMPRESSION
4	3	7560001	BUSHING, MTS, INC WEIGHT
5	1	7351401	KNOB, TULIP STYLE

# PSBESE Back Extension INCREMENT WEIGHT W/STRIKER ASSEMBLY - 7415101

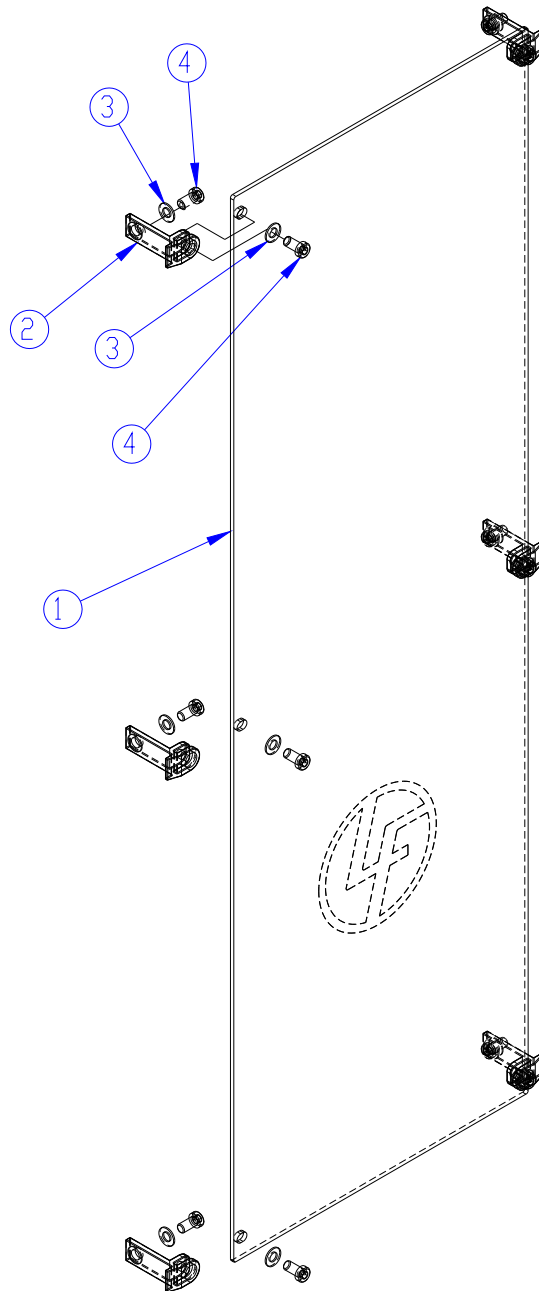
---



ITEM NO	QTY	PART NO	DESCRIPTION
1	2	7446501	ASSY, 5LB INCREMENT WEIGHT
2	1	7447101	PLATE, INCR. WT STRIKER
3	2	3236202	SCREW, M10 X1.5 25MM
4	2	3236801	NUT, M10 HEX NYLOCK SS
5	2	7767601	BUMPER, PS INCREMENT WT
6	2	3237401	PLUG, 7/16" HOLE

# PSBESE Back Extension REAR SHROUD KIT, STD-SHORT - 7415201

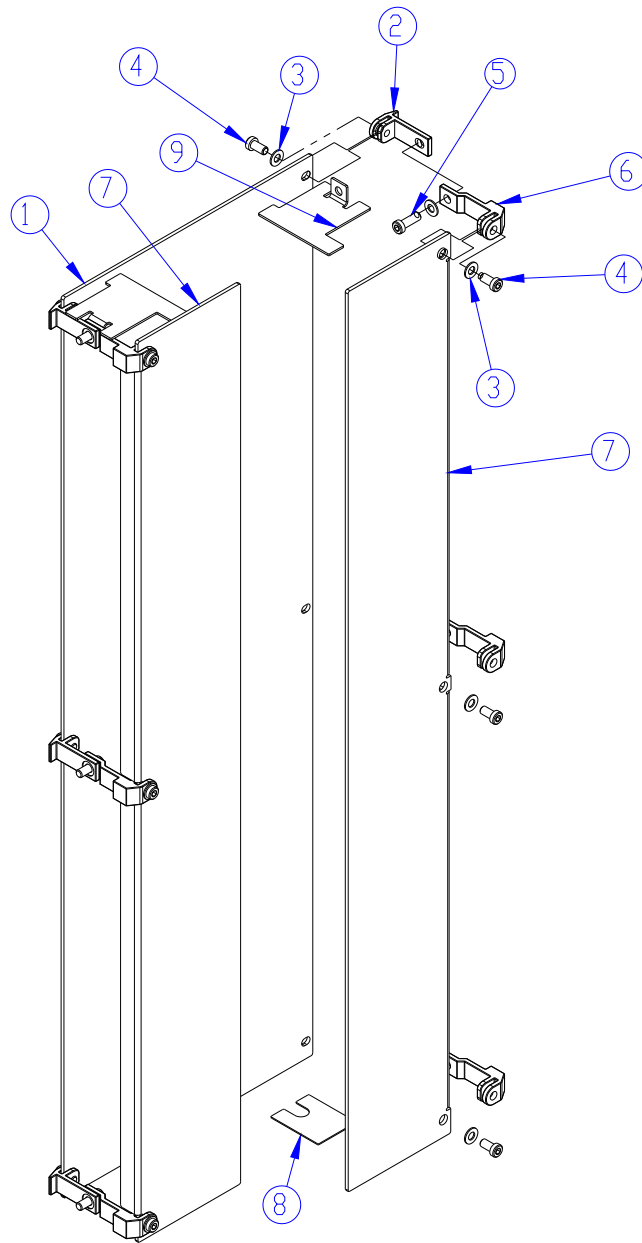
---



ITEM NO	QTY	PART NO	DESCRIPTION
1	1	7376801	SHIELD, PS REAR
2	6	7655301	BRACKET, PS REAR SHIELD
3	12	3236601	WASHER, 3/8 SAE SS
4	12	3236201	SCREW, M10 X1.5 20MM

# PSBESE Back Extension

## OPTIONAL FULL SHROUD KIT, STD-SHORT - 7539601



ITEM NO	QTY	PART NO	DESCRIPTION
1	1	7376801	SHIELD, PS REAR
2	6	7655301	BRACKET, PS REAR SHIELD
3	18	3236601	WASHER, 3/8 SAE SS
4	12	3236201	SCREW, M10 X1.5 20MM
5	6	3236203	SCREW, M10 X1.5 30MM
6	6	7376601	BRACKET, PS FRONT SHIELD
7	2	7376901	SHIELD, PS - FRONT
8	2	7570901	PLATE, PS SHIELD STAND-OFF
9	2	7657401	PLATE, PRO2 SHROUD SPCR